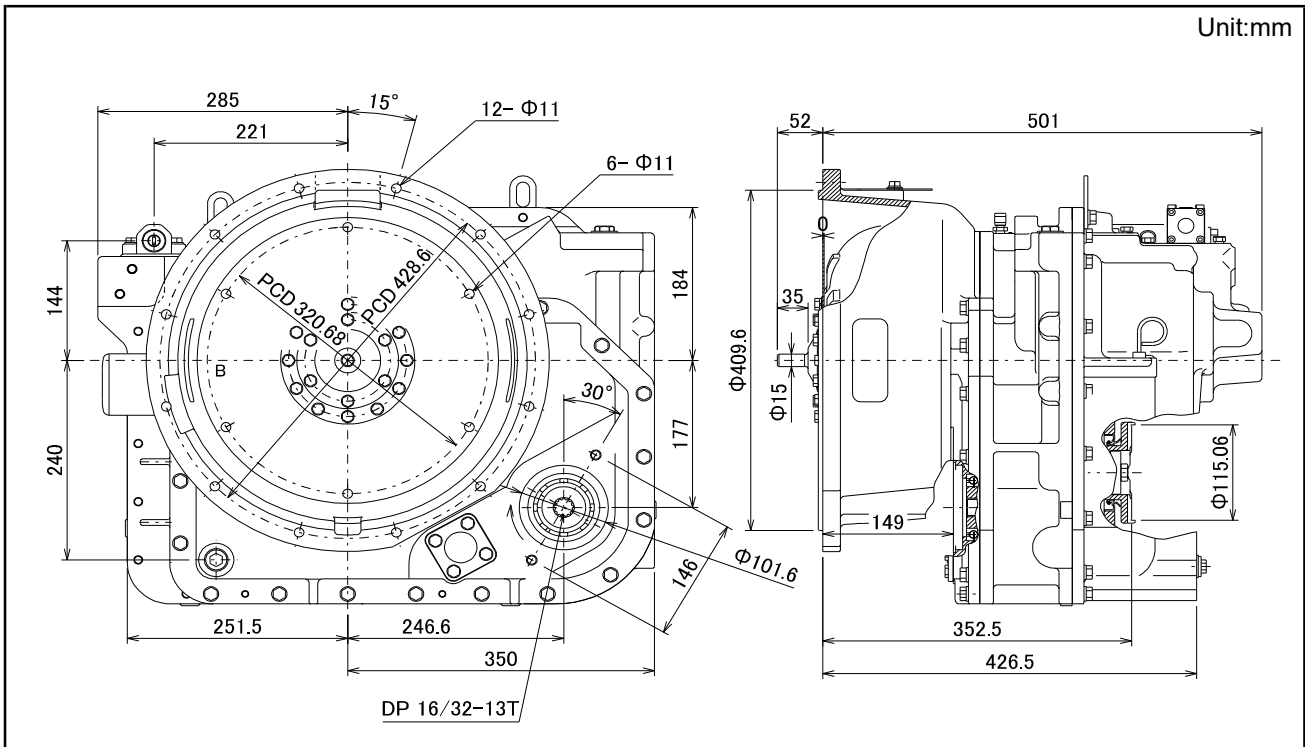


**TRANSMISSION  
for Forklift truck**

**Applications : 4.0-5.5ton Forklift truck**



**Specification**

<b>Model</b>		
<b>Applicable engine spec. (gross)</b>		
Allowable max input power	kW	60
Allowable max engine torque	Nm	300
Allowable max input speed	r/min	2600
Examples of applicable engine	CUMMINS QSF2.8 KOHLER KDI2504TCR Perkins 1104D-44/44T Kubota V3800 MITSUBISHI S6S NISSAN TD42	
<b>Torque Converter</b>		
Stall torque ratio / Stall capacity	5.0 / 62 (2 stator torque converter)	
<b>PTO (Power Take Off)</b>		
With		
<b>Transmission</b>		
Reduction gear ratio F / R	0.864 / 0.885	
Output flange rotation	Forward ...	Clockwise viewd from output flange
	Reverse ...	Counterclockwise viewd from output flange
Shift type		
Electric (DC12V /24V)		
Dry mass	kg	Approx. 255

\*\* The specifications may be changed without notice.