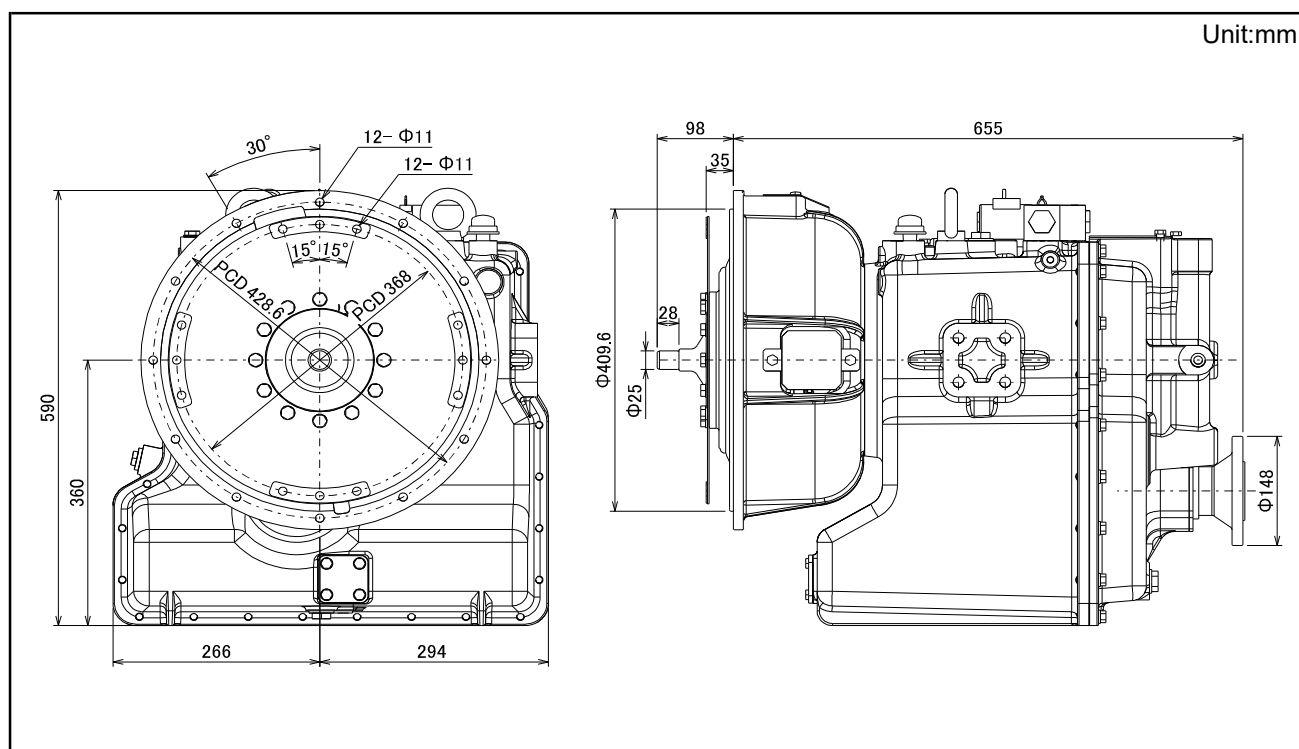


TRANSMISSION TT35 / TT60 for Tow tractor

Applications : 35000-80000N drawbar pull Tow tractors



Specification

Model		TT35 (for 3.5-5.0t)	TT60 (for 6.0-8.0t)
Applicable engine spec. (gross)			
Allowable max input power	kW	90	120
Allowable max engine torque	Nm	460	550
Allowable max input speed	r/min	2400	2400
Examples of applicable engine		CUMMINS QSB4.5 KOHLER KDI2504TCR KDI3404TCR-SCR Perkins 1104D-44T ISUZU 4JJ1X, 6BG1	CUMMINS QSB4.5 KOHLER KDI2504TCR KDI3404TCR-SCR Perkins 1104D-44TA ISUZU 4JJ1X, 6BG1
Torque Converter			
Stall torque ratio / Stall capacity		2.5 / 112	
PTO (Power Take Off)		Without	
Transmisson			
Reduction gear ratio F1 / F2 / R		1.17 / 0.57 / 1.20	1.61 / 0.65 / 1.65
Output flange rotation	Forward ... Reverse ...	Counterclockwise viewd from output flange Clockwise viewd from output flange	
Shift type		Electric (DC24V)	
Dry mass	kg	Approx. 270	

** The specifications may be changed without notice.